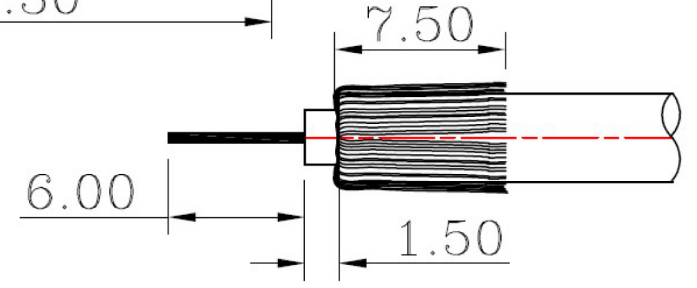
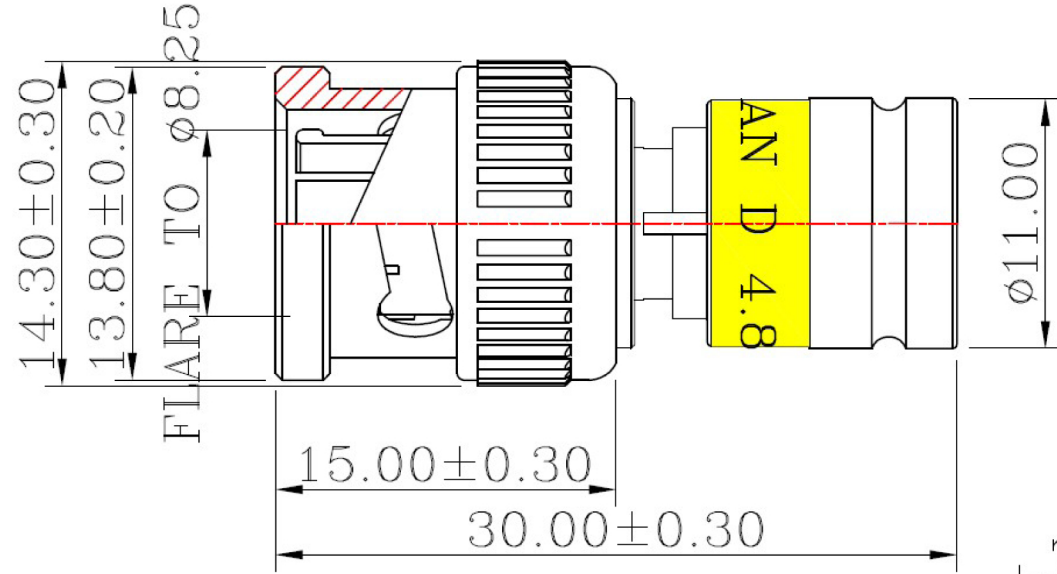
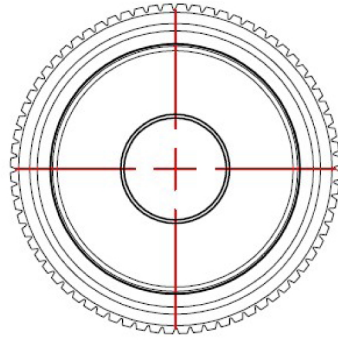


REVISIONS				
RevNo	Description	Date	Revision	Mender
1	Yellow band add ELAN D4.8 stamped	2016-5-5	A2	CM
2	Change recommended cable stripping dia. to 7.5mm	2016-05-12	A3	CM

ROHS Compliant

408020C



RECOMMENDED CABLE STRIPPING DIM'S

"Merce non prodotta in UE" - "Goods are not produced in UE"

12	PASTER	--	1	YELLOW
11	COVER	BRASS	1	NICKEL PLATED
10	GASKET	RUBBER	1	RED
9	WASHER	IRON	1	NICKEL PLATED
8	SPRING	65Mn	1	NATURAL
7	WASHER	IRON	1	NICKEL PLATED
6	INSULATOR	POM	1	NATURAL
5	CENTER CONTACT	Be,Cu	1	TIN PLATED
4	CONTACT PIN	BRASS	1	GOLD PLATED
3	INSULATOR	TEFLON	1	WHITE
2	BODY	BRASS	1	NICKEL PLATED
1	SHELL	BRASS	1	NICKEL PLATED
ITEM	DESCRIPTION	MATERIAL	Q'TY	FINISHED

ELAN SRL Via Osimana 70 - Camerano (AN)				TITLE BNC COMPRESSION PLUG M4.8(MINI COAX.)		
DRAWING NO.		UNITS	MM	UNLESS OTHERWISE SPECIFIED TOLERANCES: 0.5-15 = ±0.15 15-30 = ±0.30 30-120 = ±0.60 >120 = ±1.00	DESIGNED	YS
MODEL NO.	SB016/1C20Z25Ad1At0B106	SCALE	FIT		DRAWING	YS
PART NO.		EDITION	A1		CHECKED	CM
CAD FILE				PUBLISH DATE	APPROVED	AA
				2016-03-10	3RD ANGLE	